



MASONRY PRODUCTS

# MASONRY CATALOGUE

## PRICE LIST

Effective 6 July 2009

ALL CORRESPONDENCE TO

**PO BOX 1504  
MAREEBA QLD 4880**

**[www.tcbmasonry.com](http://www.tcbmasonry.com)**

### MAREEBA

16 Reynolds Street  
Phone: 07 4092 2086  
Fax: 07 4092 4361

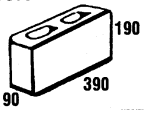
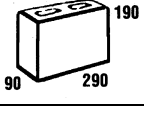
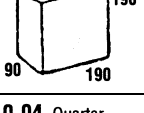
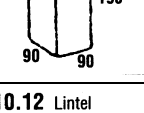
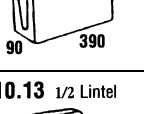
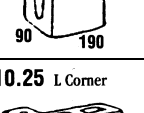
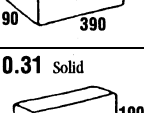
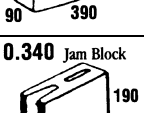
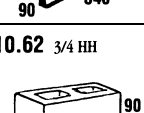
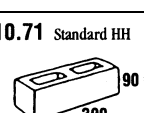
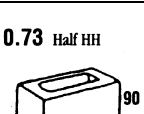
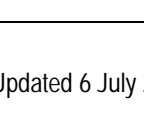
Email: [sales@tcbmasonry.com](mailto:sales@tcbmasonry.com)

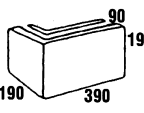
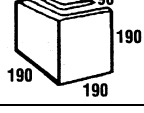
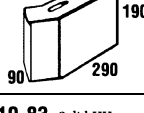

### CAIRNS

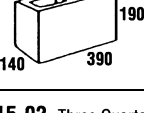
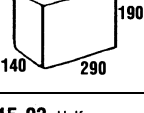
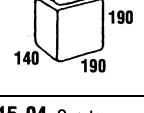
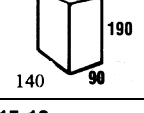
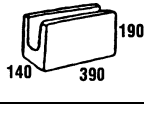
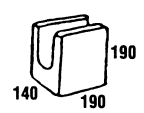
104 Aumuller Street  
Phone: 07 4035 6911  
Fax: 07 4035 6944

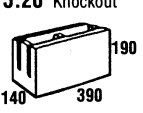
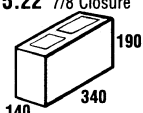
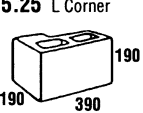
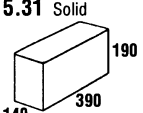
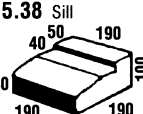
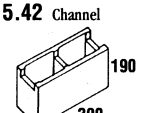
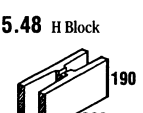
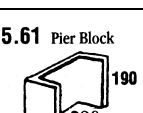
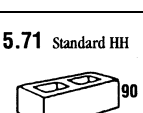
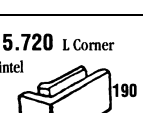
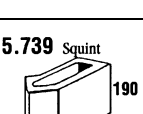
### ATHERTON

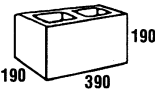
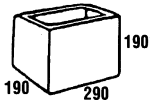
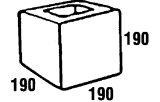
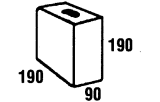
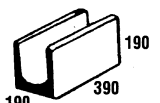
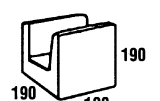
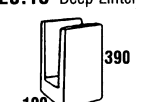
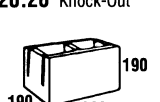

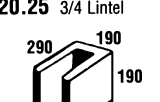
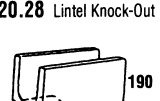
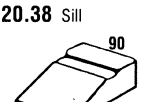
39 Albrecht Road, Tolga  
Phone: 07 4095 4115  
Fax: 07 4095 4719

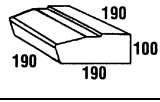
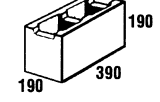
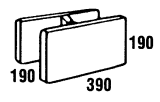
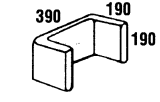
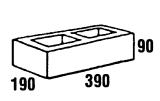
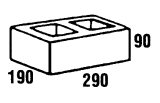
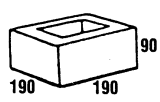
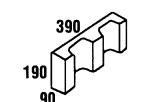
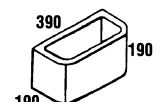
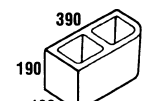

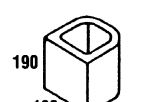

100mm SERIES	UNIT PRICE	NUMBER PER TONNE	NUMBER PER PALLET
<b>10.01</b> Standard 	\$2.01	100	160
<b>10.02</b> Three Quarter 	\$2.01	131	210
<b>10.03</b> Half 	\$2.01	200	320
<b>10.04</b> Quarter 	\$2.01	318	600
<b>10.12</b> Lintel 	\$2.01	97	160
<b>10.13</b> 1/2 Lintel 	\$2.01	186	300
<b>10.25</b> L Corner 	\$2.01	76	120
<b>10.31</b> Solid 	\$2.01	71	128
<b>10.340</b> Jam Block 	\$2.01	117	195
<b>10.62</b> 3/4 HH 	\$2.01	250	400
<b>10.71</b> Standard HH 	\$2.01	222	300
<b>10.73</b> Half HH 	\$2.01	318	600

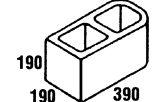
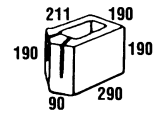
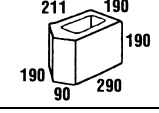
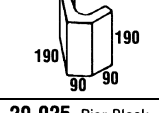

100mm SERIES	UNIT PRICE	NUMBER PER TONNE	NUMBER PER PALLET
<b>10.720</b> L Corner Lintel 	\$2.01	83	120
<b>10.723</b> 1/2 L Corner Lintel 	\$2.01	140	200
<b>10.739</b> Squint 	\$2.01	89	104
<b>10.83</b> Solid HH 	\$2.01	149	300

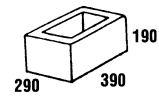
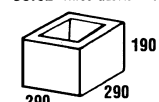

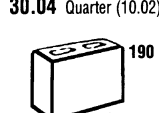

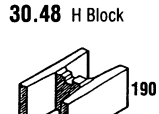
150mm SERIES	UNIT PRICE	NUMBER PER TONNE	NUMBER PER PALLET
<b>15.01</b> Standard 	\$2.74	76	120
<b>15.02</b> Three Quarter 	\$2.74	106	140
<b>15.03</b> Half 	\$2.74	148	200
<b>15.04</b> Quarter 	\$2.74	200	410
<b>15.12</b> Lintel 	\$2.74	61	100
<b>15.13</b> 1/2 Lintel 	\$2.74	150	200

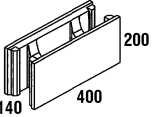
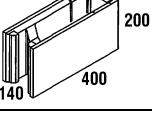
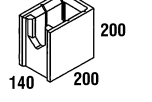
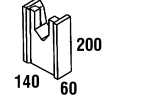

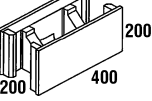
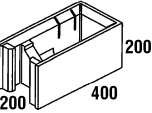
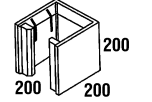

150mm SERIES	UNIT PRICE	NUMBER PER TONNE	NUMBER PER PALLET
<b>15.20</b> Knockout 	\$2.74	79	100
<b>15.22</b> 7/8 Closure 	\$2.74	66	120
<b>15.25</b> L Corner 	\$2.74	66	102
<b>15.31</b> Solid 	\$2.74	48	80
<b>15.38</b> Sill 	\$2.74	168	240
<b>15.42</b> Channel 	\$2.74	76	100
<b>15.48</b> H Block 	\$2.74	76	100
<b>15.61</b> Pier Block 	\$2.74	123	140
<b>15.71</b> Standard HH 	\$2.74	148	200
<b>15.720</b> L Corner Lintel 	\$2.74	73	105
<b>15.739</b> Squint 	\$2.74	89	105

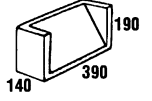
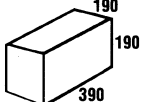
<b>200mm SERIES</b>	UNIT PRICE	NUMBER PER TONNE	NUMBER PER PALLET
<b>20.01</b> Standard 	\$3.40	63	90
<b>20.02</b> Three Quarter 	\$3.40	82	120
<b>20.03</b> Half 	\$3.40	113	150
<b>20.04</b> Quarter (10.03) 	\$3.40	200	320
<b>20.12</b> Lintel 	\$3.40	48	75
<b>20.13</b> 1/2 Lintel 	\$3.40	109	150
<b>20.18</b> Deep Lintel 	\$3.40	68	75
<b>20.20</b> Knock-Out 	\$3.40	60	90
<b>20.21</b> Knock-Out Corner 	\$3.40	60	90
<b>20.25</b> 3/4 Lintel 	\$3.40	79	120
<b>20.28</b> Lintel Knock-Out 	\$3.40	61	75
<b>20.38</b> Sill 	\$3.40	133	190

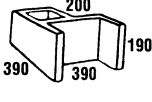
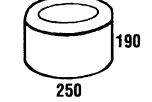
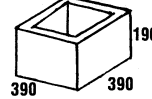
<b>20.40</b> Bullnose Sill 	\$3.40	143	240
<b>20.42</b> Channel 	\$3.40	63	90
<b>20.48</b> H Block 	\$3.40	67	75
<b>20.61</b> Open Pier 	\$3.40	78	90
<b>20.71</b> Standard HH 	\$3.40	133	150
<b>20.72</b> 3/4 HH 	\$3.40	150	200
<b>20.73</b> Half HH 	\$3.40	278	300
<b>20.701</b> Cleanout 	\$3.40	121	75
<b>20.712</b> Double Bullnose 	\$3.40	76	75
<b>20.713</b> Single Bullnose 	\$3.40	60	90
<b>20.714</b> 1/2 Single Bullnose 	\$3.40	114	150
<b>20.718</b> Half Double End Bullnose 	\$3.40	112	150
<b>20.725</b> Full Bullnose 	\$3.40	60	75

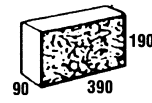
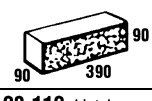
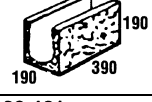
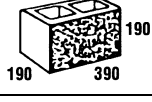
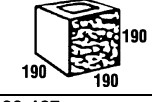
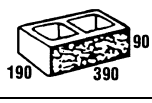
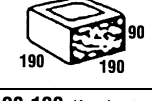
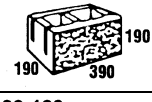
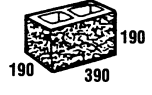
<b>20.726</b> Double End Bullnose 	\$3.40	64	75
<b>20.737</b> K.O. Squint 	\$3.40	88	96
<b>20.739</b> Squint 	\$3.40	88	96
<b>20.741</b> Squint Half 	\$3.40	210	192
<b>20.925</b> Pier Block 	\$3.40	71	90

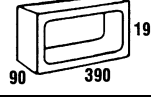

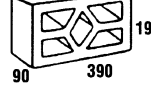
<b>300mm SERIES</b>	UNIT PRICE	NUMBER PER TONNE	NUMBER PER PALLET
<b>30.925</b> Pier Block 	\$5.08	51	60
<b>30.02</b> Three Quarter Pier 	\$5.08	60	80
<b>30.03</b> Half (20.02) 	\$5.08	82	120
<b>30.04</b> Quarter (10.02) 	\$5.08	131	210
<b>30.20</b> K.O. Bond 	\$5.08	49	50
<b>30.48</b> H Block 	\$5.08	57	50

MORTARLESS BLOCKS	UNIT PRICE	NUMBER PER TONNE	NUMBER PER PALLET
<b>15.01M</b> Stretcher 	\$3.03	76	100
<b>15.21M</b> Full End Block 	\$3.03	74	120
<b>15.03M</b> Half End 	\$3.03	145	200
<b>15.04M</b> Corner Biscuit 	\$3.03	500	380
<b>MC15</b> Yellow Connector 	\$0.72	-	-
<b>20.01M</b> Stretcher 	\$3.80	63	90
<b>20.21M</b> End Block 	\$3.80	60	90
<b>20.03M</b> Half End 	\$3.80	120	150
<b>MC20</b> Green Connector 	\$0.72	-	-

SPECIALTY BLOCKS	UNIT PRICE	NUMBER PER TONNE	NUMBER PER PALLET
<b>15.745</b> Louvre 	\$5.32	61	100
<b>20.31</b> Solid 	\$5.32	35	60

<b>20.60</b> Engaged Pier 	\$5.32	48	60
<b>25.58</b> Column 	\$5.32	116	100
<b>40.925</b> Pier Block 	\$5.32	48	45

SPLIT FACE SERIES	UNIT PRICE	NUMBER PER TONNE	NUMBER PER PALLET
<b>10.101</b> Solid 	\$3.92	72	150
<b>10.109</b> Natural HH 	\$2.02	142	300
<b>20.112</b> Lintel 	\$3.95	47	75
<b>20.121</b> Standard 	\$3.95	54	75
<b>20.123</b> Half 	\$3.95	110	150
<b>20.127</b> Standard HH 	\$3.95	123	150
<b>20.129</b> Half HH 	\$3.95	233	300
<b>20.133</b> Knockout 	\$3.95	55	75
<b>20.139</b> Corner 	\$3.95	47	75

SCREEN WALLS	UNIT PRICE	NUMBER PER TONNE	NUMBER PER PALLET
<b>10.934</b> Width 90mm 	\$3.78	134	150
<b>10.938</b> Arches 	\$3.78	111	150
<b>10.949</b> Diamond 	\$3.78	111	150

OTHER CHARGES
Minimum Cartage Charge \$71.50
Shrinkbag \$5.50 each
Strapping \$1.10 per strap
Stretch Wrap \$1.10 each
Cutting Charge P.O.A.
Pallet Deposit \$25.00 (refundable on return)

WHEN PLACING ORDERS
Please order carefully as we reserve the right not to give a refund, credit or exchange

PRODUCT ESTIMATIONS
All requests for product estimates will attract a charge of \$44.00 for house plans
Other projects P.O.A.

VOLUME OF GROUT USED IN FILLING CORES	Volume of concrete to fill 1 sq metre (1 m <sup>2</sup> ) Wall Area (M)	Volume of concrete to fill 100 blocks (M)	Number of blocks filled by 1 cubic metre (1m <sup>3</sup> ) (approx)
15.01	.054	.43	220
20.01	.09	.75	135
20.48 H Block	.119	.95	105
30.925-30.48	.18	1.44	65