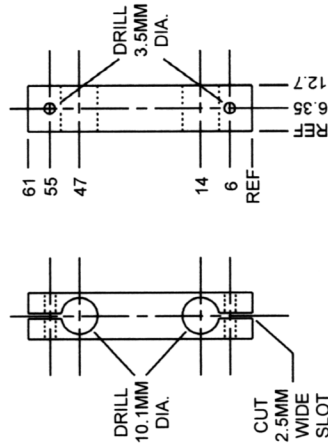


MAST CENTRELINE- DRILL BOOM SYMMETRICALLY  
AROUND THIS LINE TO SUIT YOUR MAST CLAMP  
AND EITHER HORIZONTAL OR VERTICAL ANTENNA  
POLARISATION.

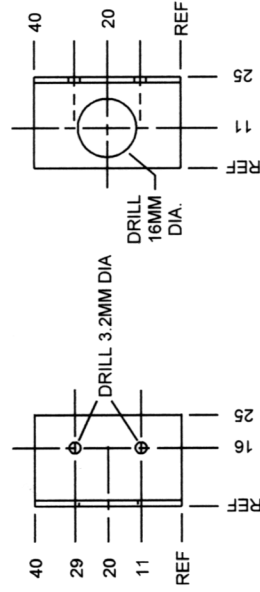
### BOOM DETAILS

MATERIAL: 910MM LENGTH OF HOLLOW 25.4 MM SQUARE ALUMINIUM TUBE -1.22MM WALL THICKNESS- 6060 T5 ALLOY  
SMART ALUMINIUM PART NO. HS252512- CUTTING TOLERANCE +/- 1MM



### GAMMA MATCH CLAMP

MATERIAL- 12.7MM SQUARE ALUMINIUM TUBE  
6060 T5 ALLOY, WALL THICKNESS 1.55MM  
SMART ALUMINIUM PART NUMBER HS121215  
CUTTING TOLERANCE +/- 1MM



### SO239 SOCKET SUPPORT BRACKET

MATERIAL- 25MM ALUMINIUM ANGLE  
6060 T5 ALLOY- WALL THICKNESS 1.6MM  
SMART ALUMINIUM PART NO. A252516  
CUTTING TOLERANCE +/- 1MM

ELEMENT MATERIAL- 10MM DIAMETER TUBE  
1.2MM WALL THICKNESS- 6060 T5 ALLOY  
SMART ALUMINIUM PART NO. TU1012E

ELEMENT LENGTHS  
DIRECTOR- 900 +/- 1MM  
DRIVEN ELEMENT- 992 +/- 1MM  
REFLECTOR- 1070 +/- 1MM  
GAMMA ELEMENT- 200 +/- 1MM

FEED IMPEDANCE- 50 OHM  
SWR- BETTER THAN 1.5:1 FROM 144 TO 148MHZ  
FORWARD GAIN- APPROX 6.5 dbd  
FRONT TO BACK RATIO- BETTER THAN 25db  
DRAWN 10/04/2008 VK5JST